

Product information

S7-Panel-HMI

HMI430T



(valid from HMI-version HMI430T-02)

Changes to older versions of this document

Rev. 01 → **02**: new images, new design line, connectors added, drill jig info added

Rev. 02 → **03**: changed to CPU-T slim version

Description

S7-Panel-HMI with

- 4,3" TFT display (480x272 pixel)
- resistive touch (front protection class IP65)

Standard configuration:

Ethernet with

- RFC1006 (S7-communication), Setup of own and partner IP-addresses in VisuStage-project or BIOS

Micro-SD-slot

for Micro-SD-cards up to 8GB

State LEDs for

Power, Battery, Error, Run

Inserting stripes

- for Logo and identification (thereby customized adaption possible easy)

Scope of delivery:

- Mounting kit with grounding terminal i
- Technical data sheet

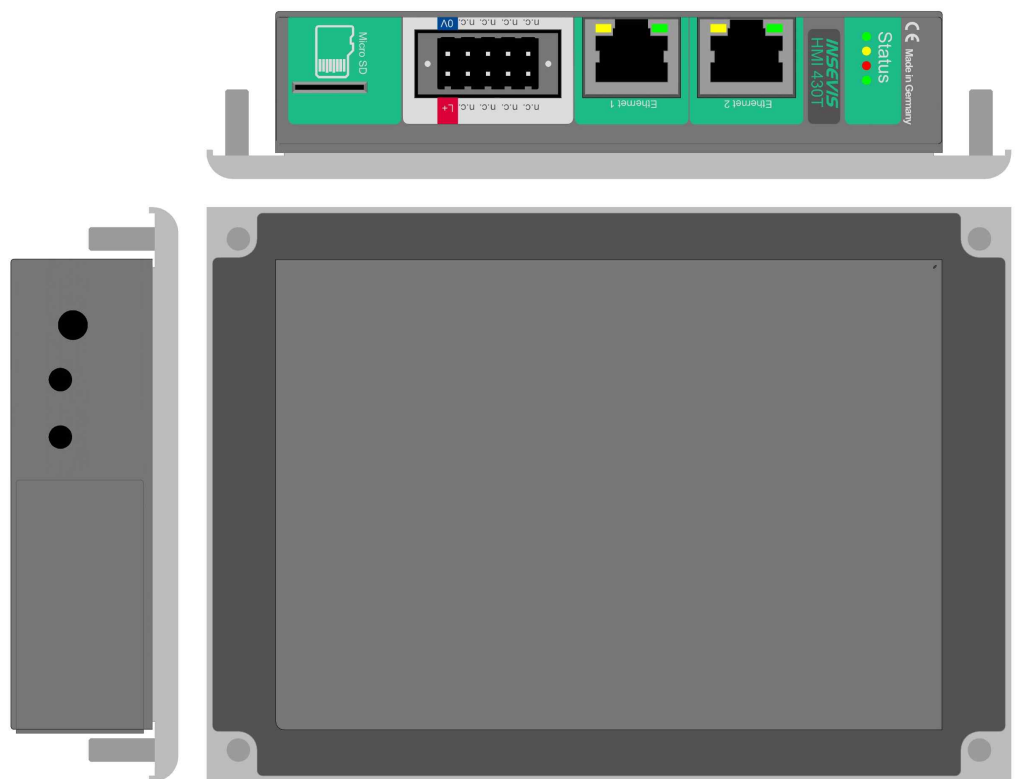
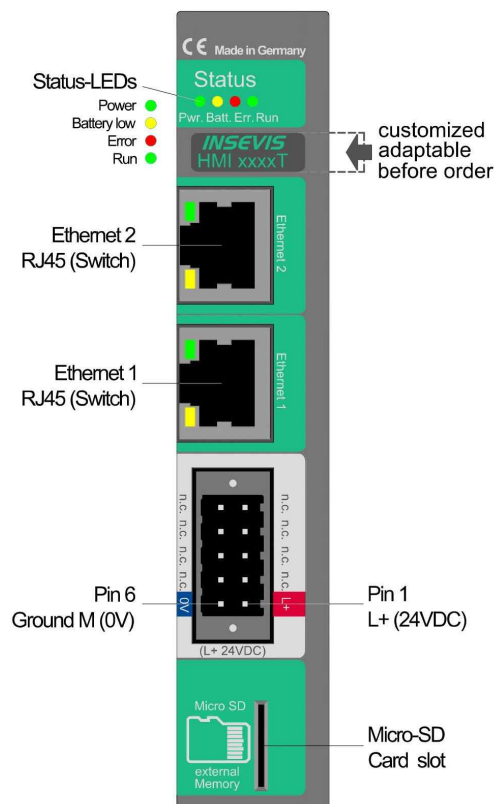


Figure above: View to rear side and connections sides of HMI430T with slim CPU-T (horizontal use)

Figure below: CPU-connections of all Panel-HMI with CPUs type T-slim



| Technical data | |
|---|---|
| Dimensions W x H x D (mm) Cut out W x H (mm) Weight | 140 x 100 x 30 (24 mounting depth) 118 x 84 ca. 450g |
| Operating temperature range Storage temperature range | -20°C ... +60°C (without condensation) -30°C ... +80°C |
| IP-protection class front panel rear side | IP65 IP41 |
| Connection technology | removable connector with 2 lift arms or 2 bolt flanges (cage clamp technology) for cross section up to max. 1,5mm ² |
| Load voltage L+ | 24V DC (11 V ... 30V DC) |
| Current consumption Power dissipation | 150mA ... 300mA 4W (typ.) ... 7,5W (with Profinet) |
| Start-up current | < 3A |
| Diagonal of display (inch) Display resolution (pixel) | 4,3" (111mm) 480x272 pixel (16:9-format) |
| Display unit Operating unit | TFT display with 16Bit colours analog resistive touch screen |
| Visualization tool unit to reference there | VisuStage HMI430T |
| Technical data CPU | |
| CPU-type | CPU-T (HMI430T) |
| Flash internal - for visualization external memory | 48 MByte Micro SD, up to max. 8 GByte (only for archiving) |
| Ethernet (protocols) | 2x Ethernet (switch) (RFC1006 / S7-communication to S7-CPU) |

| Cut out in switching cabinet | |
|---|--|
| <p>Dimensions Cut out W x H (mm) / 118 x 84 4 holes with D 4,5mm</p> <p>Wiring outlet at rear view and horizontal mounting</p> <p>HMI430T Wiring outlet - VCC / 2xETH downwards</p> <p>Mounting depth ca. 24mm max.</p> | <p style="text-align: center;">Ausbruch für / cut out for PC430T / PC433T / HMI430T</p> |
| <p>Drill jig →</p> | <p>An 1:1 pattern as drill jig is available as PDF at INSEVIS web site for this product Print it 1:1 and use it for marking the cut out.</p> |

Ordering data of devices

| Identification | Standard |
|----------------------|------------|
| S7-Panel-HMI HMI430T | HMI430T-03 |

Ordering data of accessoires

| Identification / Order-No. | Identification / Order-No. |
|---|---|
| Connector 2x5pin (lift arms) / E-CON10-00 | Connector 2x5pin (bolt flanges) / E-CONS10-00 |
| Mounting / grounding set for 4,3" devices* / E-MNT35-00 | OEM-Inserting stripe H for logo / identification for rear side* / E-LABH-00 |
| Micro SD-card 1GB (external memory) / E-MSD1-00 | Micro SD-card 4GB (external memory) / E-MSD4-00 |
| Micro SD-card 2GB (external memory) / E-MSD2-00 | Micro SD-card 8GB (external memory) / E-MSD8-00 |

* (1x already part of first deliveries scope)

Qualified personnel

All devices described in this manual may only be used, built up and operated together with this documentation. Installation, initiation and operation of these devices might only be done by instructed personnel with certified skills, who can prove their ability to install and initiate electrical and mechanical devices, systems and current circuits in a generally accepted and admitted standard.

Copyright

This and all other documentation and software, supplied or hosted on INSEVIS web sites to download are copyrighted. Any duplicating of these data in any way without express approval by INSEVIS GmbH is not permitted. All property and copy rights of these documentation and software and every copy of it are reserved to INSEVIS GmbH.

Trade Marks

INSEVIS refers that all trade marks of particular companies used in own documentation are reserved trade marks are property of the particular owners and are subjected to common protection of trade marks.

Disclaimer

All technical details in this documentation were created by INSEVIS with highest diligence. Anyhow mistakes could not be excluded, so no responsibility is taken by INSEVIS for the complete correctness of this information. This documentation will reviewed regularly and necessary corrections will be done in next version.

With publication of this data all other versions are no longer valid.